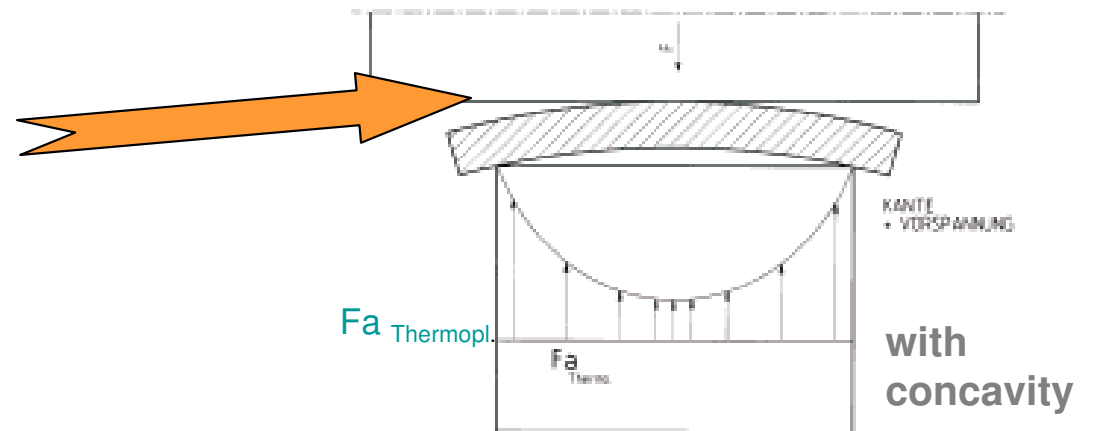


## Doellken Edges

Due to concavity higher pressure at surface

**= REDUCED GLUELINE**



## Edges slitted/calendar types

Without concavity a homogeneous pressure

**= BIGGER GLUELINE**

